

# LED Slim Panel 4"



SL4-VAR-R-WH-V4  
 SL4-VAR-R-BK-V4  
 SL4-VAR-R-BN-V4

Date:	Project:	Comments:
Prepared for:	Type:	



**CCT Selectable**  
 2700K | 3000K | 3500K | 4000K | 5000K



## Performance Specifications

Power	9W
Equivalent Power	60W
Input Voltage	120Vac
Input Current	205mA
Color Temperature (CCT)	2700K / 3000K / 3500K / 4000K / 5000K
Color Rendering Index (CRI)	>80
Dimming Type	Triac Phase Cut
Beam Angle	110°
Max Lumens	680lm @ 4000K
Efficacy	Up to 75.5lm/W
Total Harmonic Distortion	<20%
Surge Protection	175Vac
Power Factor	0.95
Cable rating	FT6

## Physical Specifications

Color Options	White, Black, Brushed Nickel
Material - Body	Aluminum
Material - Lens	PMMA
Weight	289g
Volume	271 cm <sup>3</sup>
Cutout Size	ø4" (ø101 mm)
Mounting Type	Recessed
IC Rating	Yes
Environment	Wet
Operating Temperature	-20°C to 40°C
Wire Size	18AWG (AC), 24AWG (DC)
Lead Wires Length	4"
Light Lead Wires Length	5"
Driver Output Lead Cable Length	8"

## Ordering Specifications

Years of Warranty	5 years
Certification and Compliances	cETLus, IC Rated, FCC

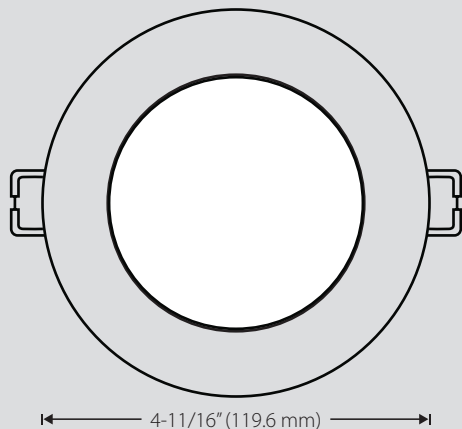
Orders placed by 3pm are shipped out same-day

## Ordering Information

Ordering Code	Rated Power	Equivalent to	CCT (Selectable)	Max Lumen Output	Trim Colour
SL4-VAR-R-WH-V4	9W	60W	2700K / 3000K / 3500K / 4000K / 5000K	680lm @ 4000k	White
SL4-VAR-R-BK-V4					Black
SL4-VAR-R-BN-V4					Brushed Nickel



# Dimensions



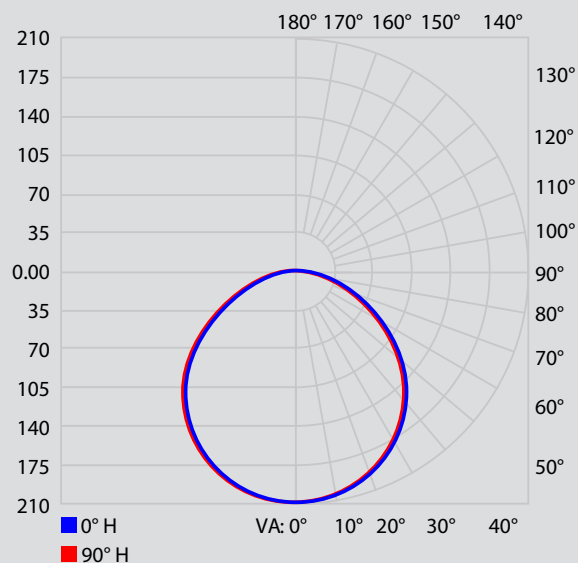
## Junction Box Dimensions

Height	Width	Depth
1-5/16" (34 mm)	3-15/16" (100 mm)	2-5/8" (67 mm)

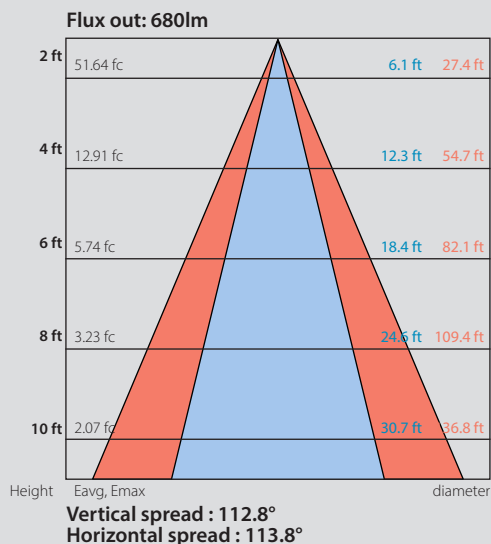
Diameter	Height	Minimum Cutout Size
4-11/16" (119.6 mm)	1" (25.4 mm)	ø4" (ø101 mm)

# Photometrics

## Polar Candela



## Illuminance at a distance



## Zonal Lumen Summary

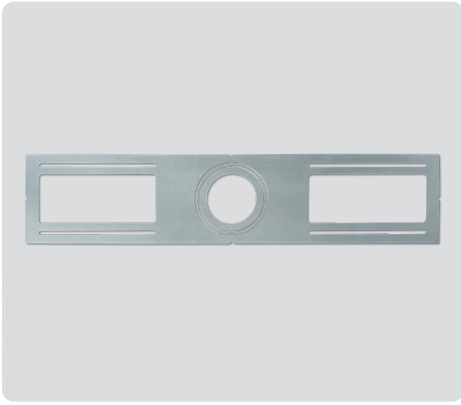
Zone	Lumens	% Lamp	% Luminaire
0-30	161.0	27.3 %	27.3 %
0-40	264.2	44.8 %	44.8 %
0-60	469.1	79.5 %	79.5 %
60-90	121.2	20.5 %	20.5 %
0-90	590.2	100 %	100 %

## Lumens per CCT

2700K	3000K	3500K	4000K	5000K
580lm	620lm	670lm	680lm	660lm



## Additional accessories



### Mounting Plate

SL4-MP-R-L-V2

(Sold Separately)



### Extension cable FT6

EX-SLPL-4FT

Max 5 per fixture (Sold Separately)



### Vapor Barrier

SL4-VBE-V1

(Sold Separately)

## Compatible Dimmers

	Arani	Eaton	Leviton	Lutron	
Triac and ELV	DM1-200W-SLP-3-WH-V3 DM1-200W-SLP-3-BK-V3	DUL06P-C2 SUL06P AAL06	Leviton IPE04-1IZ Leviton 6674-PDW	DVRP-253P DVCL-153P-3-C MACL-153M CTCL-153P	CT-600P SLV-600P PD-6WCL

This table lists dimmers that have been successfully tested under normal conditions of use. However, as each installation is different, certain factors, such as load, common neutrals, or the presence of other electrical equipment on the circuit, may cause variations in performance in some cases.

The absence of a dimmer model from this list does not indicate incompatibility with the product, but simply means that it has not been tested.

It is important to read and follow the dimmer installation instructions.

