

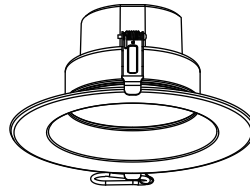
# Commercial Downlight Installation Instruction



## ⚠ WARNING

1. Only qualified electricians should install this fixture. All electrical and grounded connections **MUST** be in accordance with National Electrical Code and the Canadian Electrical Code, and any applicable local code requirements.
2. In case of smoke, or spark emerging from the wire or track, please turn off the power supply to the wire immediately and notify the relevant personnel.
3. Minimum 90°C Supply Conductor Requirement.
4. This fixture is designed for use in wet environments but is not intended to be submerged in water.
5. Please do not stare directly at the LED Lights, and wear gloves before installing the fixture to avoid an injury.
6. Please inspect the fixture for probable damages (arising from shipment) before installing and contact ARANI immediately.
7. Please confirm all accessories are included in the box and read the installation instructions carefully prior to installing the fixture.
8. This fixture is designed to operate in ambient temperatures ranging from -25° to 40°C. Using it in temperatures outside this range will reduce its lifespan.
9. Switch OFF the main power supply (at the fuse/ circuit breaker) before wiring-in the fixture.
10. Please clean the luminaire regularly to ensure maintenance and its longevity.

## Commercial Downlights



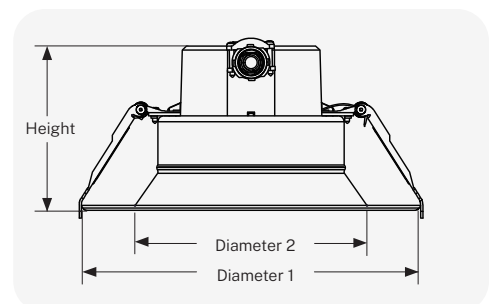
CDL4-6W-13W-VAR-WH-V1 / CDL6-10W-24W-VAR-WH-V1 / CDL8-16W-30W-VAR-WH-V1

## Product Information

Ordering Code	Model Number	Input Voltage	Rated Power	CCT	Rated Current
CDL4-6W-13W-VAR-WH-V1	CDL04R0013W-DDKMVDWHS-V1	120-347Vac	5.5W/7W/9W/10W/13W	27K/30K/35K/40K/50K	107mA
CDL6-10W-24W-VAR-WH-V1	CDL06R0024W-DDKMVDWHS-V1	120-347Vac	9.5W/13W/18.5W/21W/24W	27K/30K/35K/40K/50K	198mA
CDL8-16W-30W-VAR-WH-V1	CDL08R0030W-DDKMVDWHS-V1	120-347Vac	16W/20W/23W/27W/30W	27K/30K/35K/40K/50K	247mA

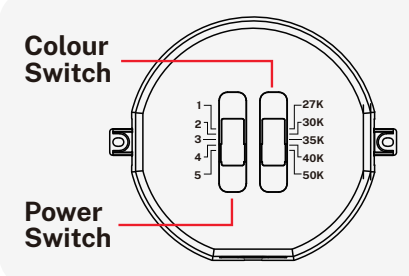
## Product Dimensions

Ordering Code	Size	Diameter 1	Diameter 2	Height	Cut-Out (Min to Max)
CDL4-6W-13W-VAR-WH-V1	4"	6"	4-7/16"	3-5/8"	Ø 4-7/8" à Ø 5-3/4"
CDL6-10W-24W-VAR-WH-V1	6"	8-7/16"	5-3/4"	4-3/16"	Ø 5-7/8" à Ø 8-1/8"
CDL8-16W-30W-VAR-WH-V1	8"	10"	7"	4-7/16"	Ø 7-1/4" à Ø 8-3/4"



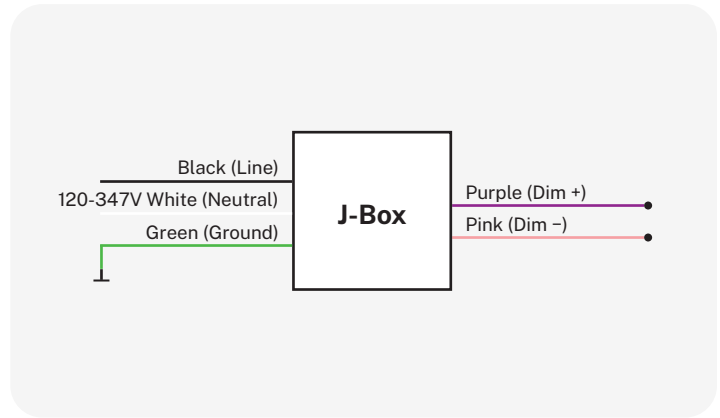
## Power and Colour Selection

Easily change the power and color temperature (CCT) using the two slide switches on the back of the fixture, the left for wattage and the right for color temperature.



	CDL4	CDL6	CDL8
1	5.5W	9.5W	16W
2	7W	13W	20W
3	9W	18.5W	23W
4	10W	21W	27W
5	13W	24W	30W

## Wiring Diagram

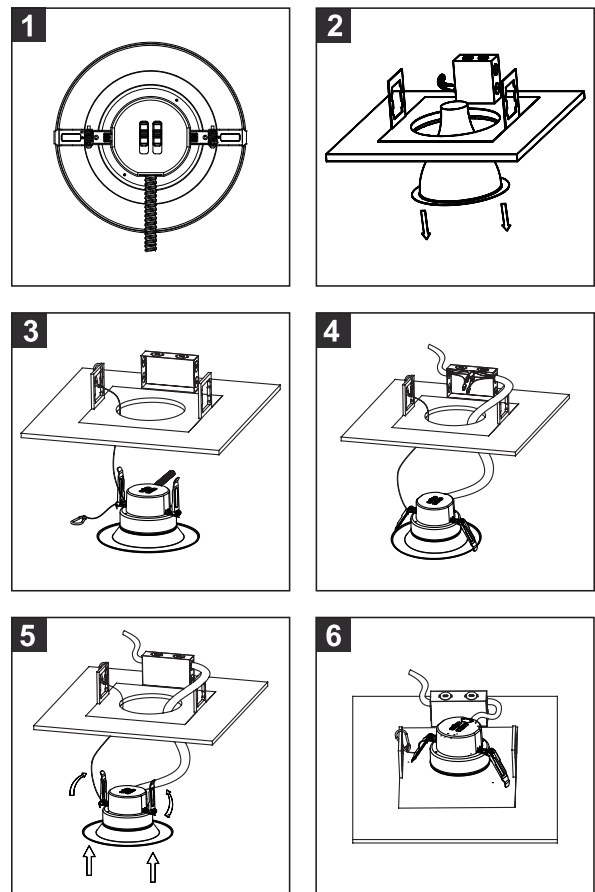


## Retrofit Installation

1. Shut off power at the source of the fixture housing where you are installing the fixture. Remove the existing trim and CFL or incandescent bulb. (Fig. 2)

**Note:** Follow all federal and local regulations when disposing of lamps and removed components.

2. Measure the ceiling opening to ensure that the edge of the luminaire will cover the entire opening and still sit firmly in the ceiling. (See Dimensions on page 1.)
3. Select the desired wattage and CCT using the adjustment switches on the fixture. (See General Information above.)
4. Attach the carabiner safety clip to the existing fixture housing. (Fig. 3)
5. Insert the fixture conduit into the J-box and connect it to the power source. (See Wiring Diagram above.) Reattach the J-box cover when done. (Fig. 4)
6. Squeeze the two housing clips so they are in an upright position, then insert the fixture into the hole. (Fig. 5)
7. Once the fixture is inside the hole, release the hole clips and continue pushing the fixture into the ceiling until it is securely fixed and flush. Restore power. (Fig. 6)



## **■ New Construction Installation**

1. Shut off power at the source of the fixture housing where you are installing the lamp.
2. Create a ceiling opening to ensure that the edge of the luminaire will cover the entire opening and still sit firmly in the ceiling. (See \*Dimensions\* on page 1.)
3. Select the desired wattage and CCT using the adjustment switches on the lamp. (See \*General Information\* above.)
4. Attach the carabiner safety clip to the existing fixture housing. (Fig. 1)
5. Insert the lamp conduit into the J-box and connect it to the power source. (See \*Wiring Diagram\* above.) Reattach the J-box cover when done. (Fig. 2)
6. Squeeze the two housing clips so they are in an upright position, then insert the lamp into the hole. (Fig. 3)
7. Once the lamp is inside the hole, release the housing clips and continue to push the lamp into the ceiling until it is securely fixed and flush. Restore power. (Fig. 4)

