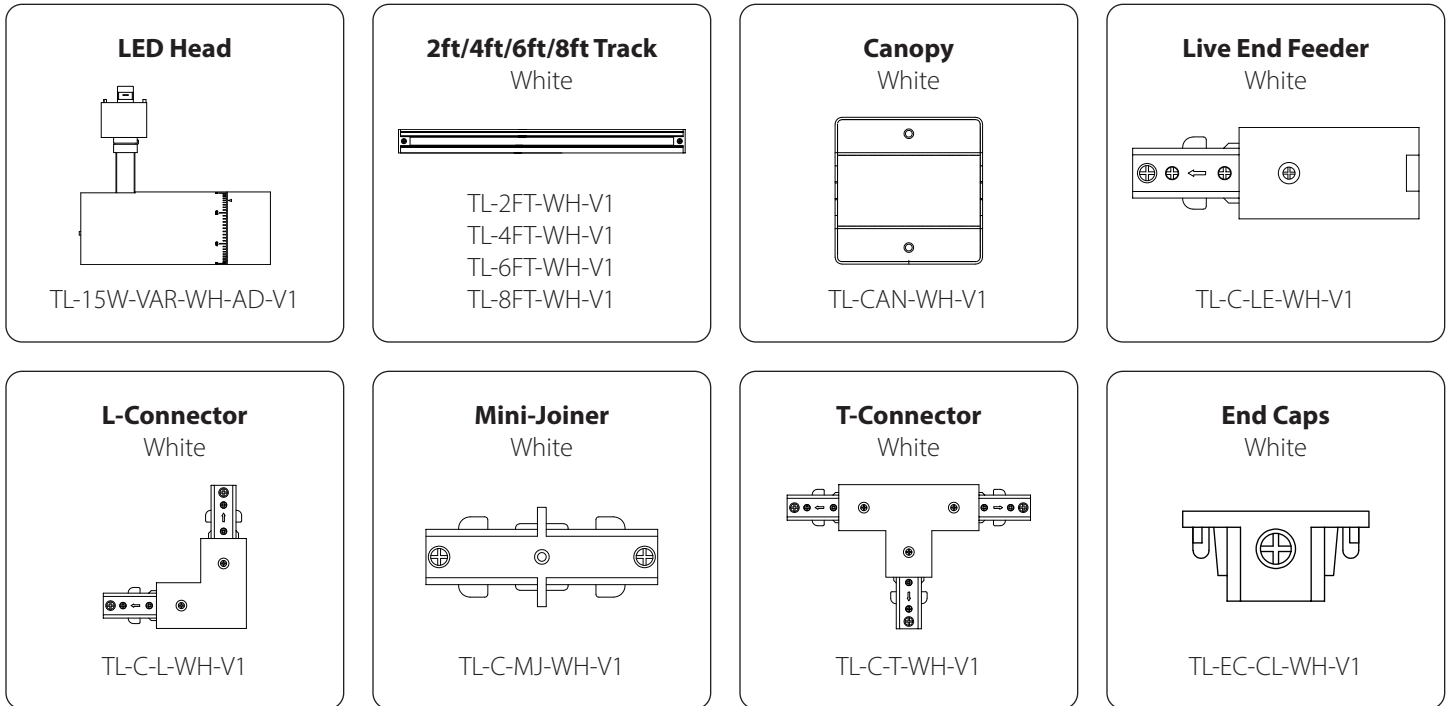


Track Lighting Installation Instruction



⚠ WARNING

1. Only qualified electricians should install this track system. All electrical and grounded connections MUST be in accordance with National Electrical Code and the Canadian Electrical Code, and any applicable local code requirements.
2. In case of smoke, or spark emerging from the wire or track, please turn off the power supply to the wire immediately and notify the relevant personnel.
3. Minimum 90°C Supply Conductor Requirement.
4. Do not expose this fixture to direct water. This fixture is not waterproof and is ONLY suitable for dry locations.
5. Please do not stare directly at the LED Lights, and wear gloves before installing the fixture to avoid an injury.
6. Please inspect the fixture for probable damages (arising from shipment) before installing and contact ARANI immediately.
7. Please confirm all accessories are included in the box and read the installation instructions carefully prior to installing the fixture.
8. This fixture is designed to operate in ambient temperatures ranging from -20° to 45°C. Using it in temperatures outside this range will reduce its lifespan.
9. Switch OFF the main power supply (at the fuse/ circuit breaker) before wiring-in the fixture.
10. Please clean the luminaire regularly to ensure maintenance and its longevity.
11. Do not install any part or a track system less than five feet above the floor.
12. Proper grounding is required for safety

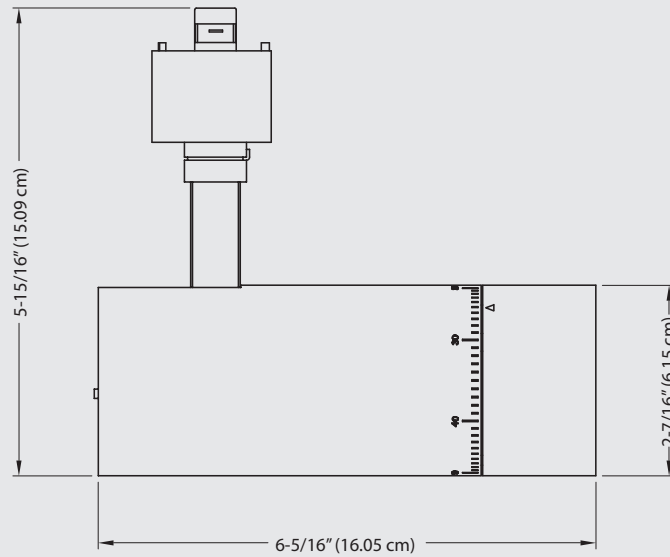


Product Information

Ordering Code	Model Number	Input Voltage	Power	CCT	Name
TL-15W-VAR-WH-AD-V1	TL-15W-VAR-WH-AD-V1	120Vac	15W	2700K ; 3000K ; 3500K ; 4000K ; 5000K	LED Head/Adjustable beam angle/White
TL-2FT-WH-V1	TL-2FT-WH-V1	120Vac	N/A	N/A	2FT Track/White
TL-4FT-WH-V1	TL-4FT-WH-V1	120Vac	N/A	N/A	4FT Track/White
TL-6FT-WH-V1	TL-6FT-WH-V1	120Vac	N/A	N/A	6FT Track/White
TL-8FT-WH-V1	TL-8FT-WH-V1	120Vac	N/A	N/A	8FT Track/White
TL-CAN-WH-V1	TL-CAN-WH-V1	120Vac	N/A	N/A	Track Canopy/White
TL-C-LE-WH-V1	TL-C-LE-WH-V1	120Vac	N/A	N/A	Track Live End Feeder/White
TL-C-L-WH-V1	TL-C-L-WH-V1	120Vac	N/A	N/A	Track L-Connector/White
TL-C-MJ-WH-V1	TL-C-MJ-WH-V1	120Vac	N/A	N/A	Track Mini-Joiner/White
TL-C-T-WH-V1	TL-C-T-WH-V1	120Vac	N/A	N/A	Track T-Connector/White
TL-EC-CL-WH-V1	TL-EC-CL-WH-V1	N/A	N/A	N/A	Track End Caps/White

LED Head

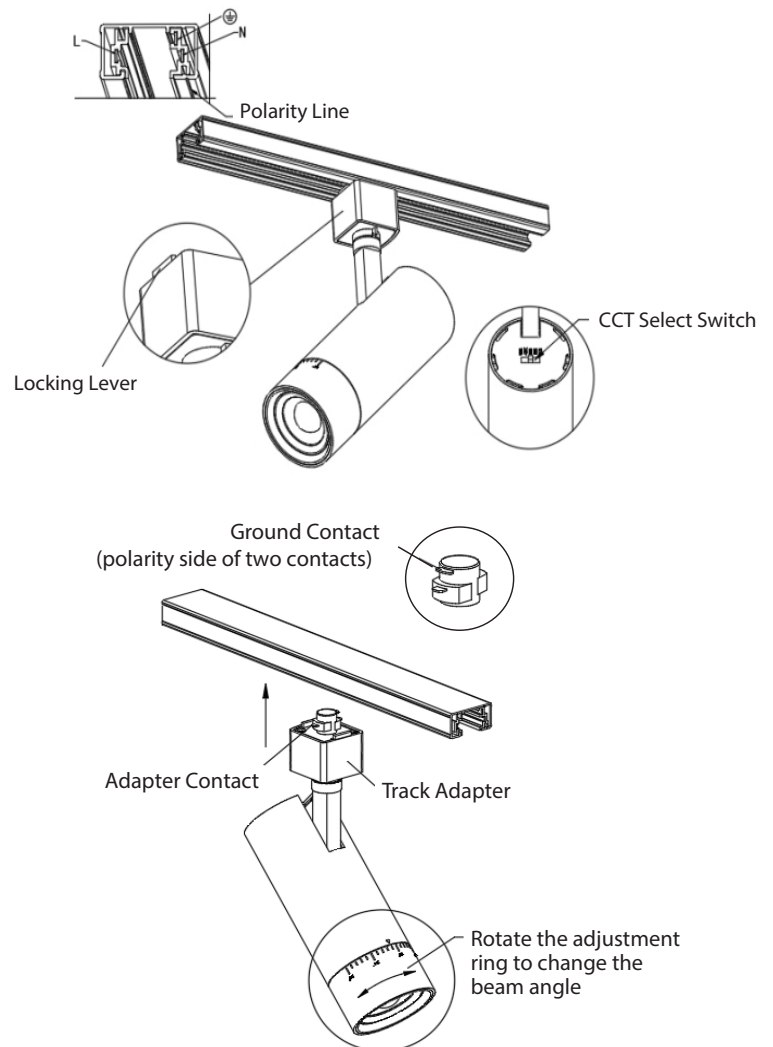
Dimensions



Installation Steps:

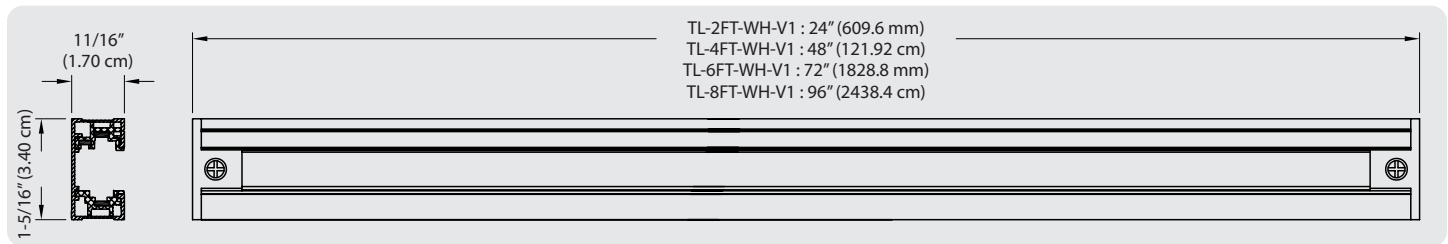
Warning: Risk of electric shock or personal injury. Do not touch or remove the track head on the track when the light is on. Turn OFF power before installation or maintenance.

1. Before installing the track head, ensure it is compatible with the track system technology.
2. Turn OFF switch at main power source before installing any track or fitting.
3. Pull down the locking lever and insert "Adapter Contact" into the slot in the track.
4. Rotate adapter clockwise 90° to locked position.
NOTE: Polarity line of track head (2 prong side) must point towards the polarity line on the track (indented line) when installed.
5. Adjust the CCT switch behind to select the appropriate color temperature.
6. To remove, press the locking lever on the track adapter and turn the track head counter clockwise 90°.



2ft/4ft/6ft/8ft Track

Dimensions



Installation Steps:

1. Before starting the installation, make sure to turn off the main power supply. Position the track rail and mark the mounting holes on the ceiling. Once marked, proceed to install the track, connectors, and power fittings.
2. Ensure that the contacts align properly with the polarity line on the track (see Fig. 1), as incorrect alignment can damage both the fixture and the track. The polarity line, which identifies the ground bus bar, runs along the entire length of the track.
3. When inserting feeds or connectors, make sure the polarity indicator (a small sheet of iron) points toward the polarity line. Tracks must be joined while maintaining polarity throughout the entire run. Remove end caps one at a time as you connect the tracks—removing all caps at once can lead to improper connections or arcing.
4. Lastly, ensure that feeds or connectors are fully inserted into the track, maintaining proper polarity, and tighten the set screw at each connection point. (See Fig. 2)

Please note this track is compatible only with H-type tracks.

FIG. 1 FIXTURE POLARITY ALIGNMENT

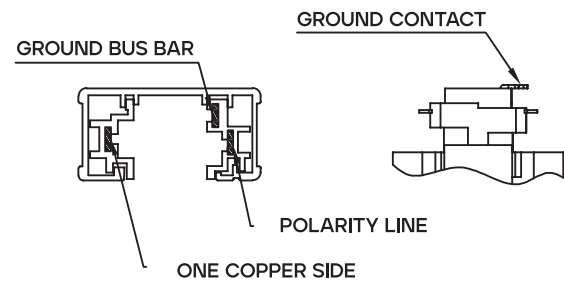
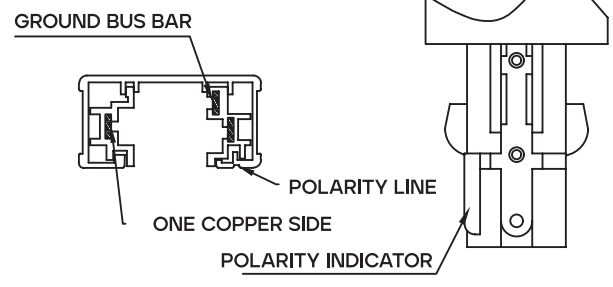
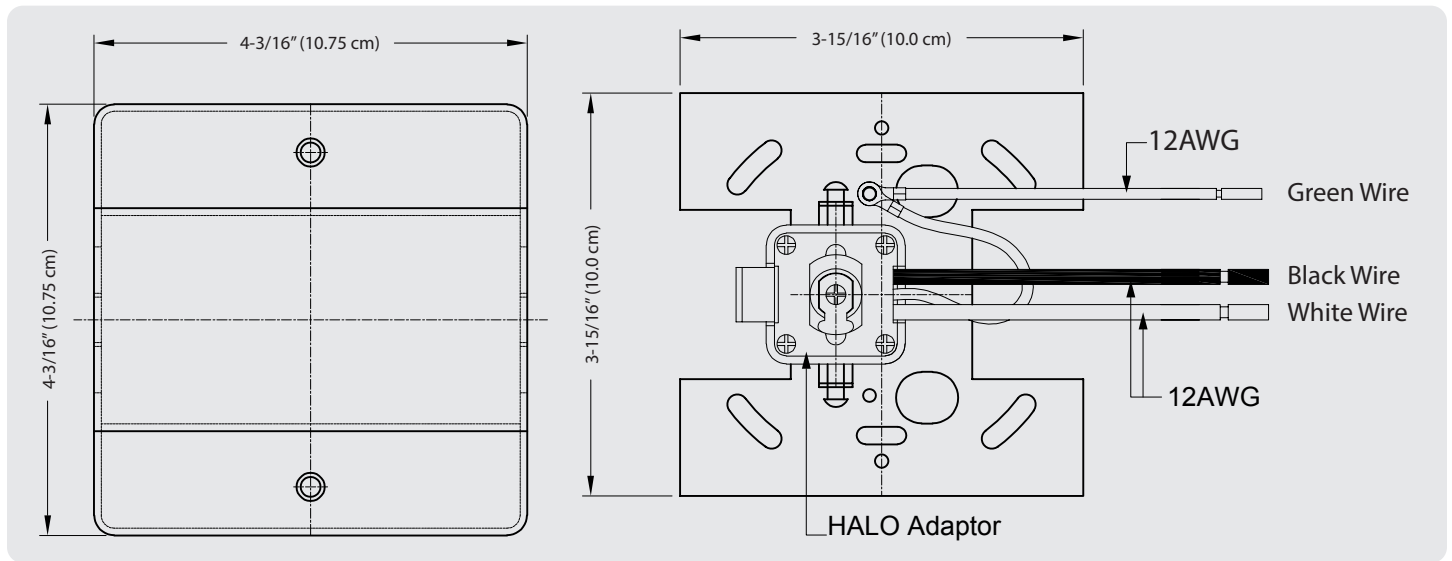


FIG. 2 STANDARD POLARITY



Canopy

Dimensions



Installation Steps:

Important: Turn off the main power source (fuse box/Breaker) before installing any components of the Track light system.

1. Locate the electrical box in the ceiling or wall containing the electrical wires: Black (HOT) and White (Neutral). Ensure that the Black wire is connected to Black, and White to White.

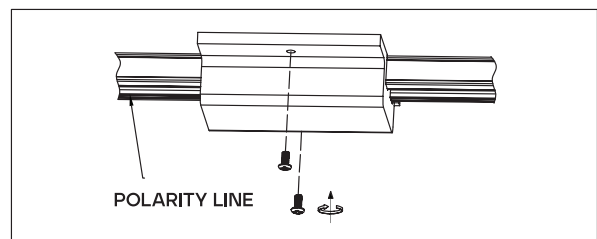
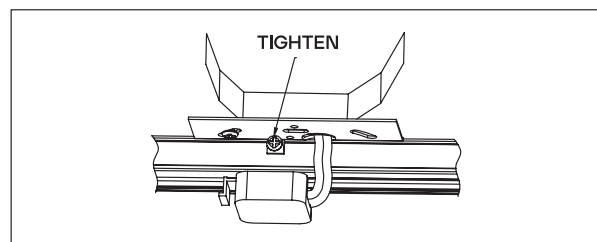
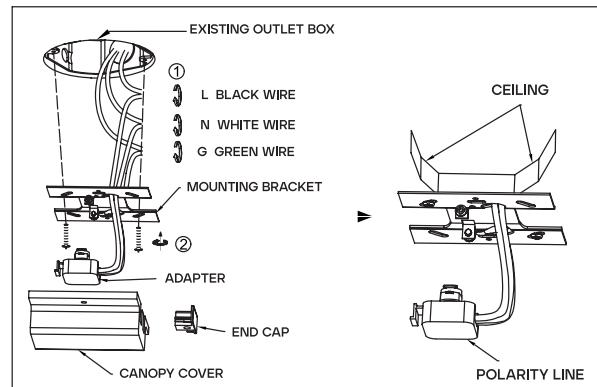
Note: Connect the green ground wire to the green ground screw or the green wire in the outlet box.

2. After connecting the wires, push them into the outlet box and secure the mounting bracket to the outlet box.

3. Secure the mounting bracket to the junction box. Then insert the rail between the two mounting screws and tighten them moderately.

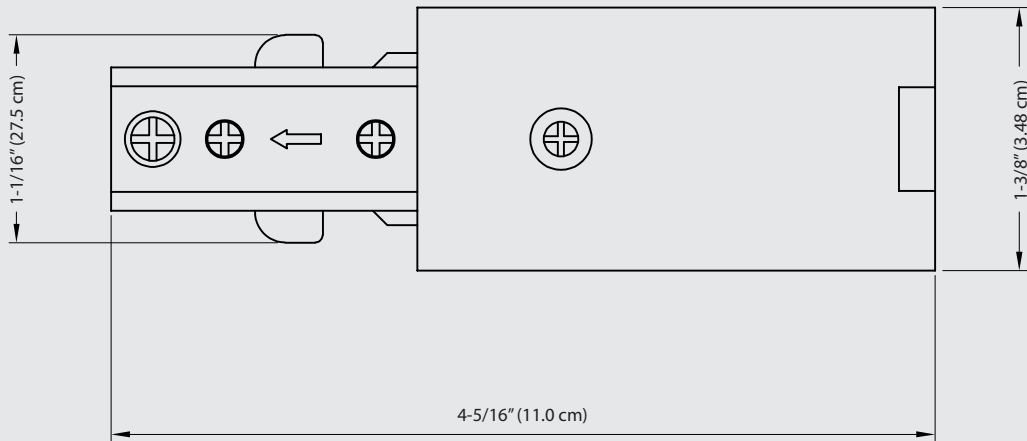
4. Rotate the adapter 90° so that the polarity line on the bottom of the adapter aligns with the groove line along the side of the track face.

5. Place the canopy cover over the connector and track, then secure it with two screws.



Live End Feeder

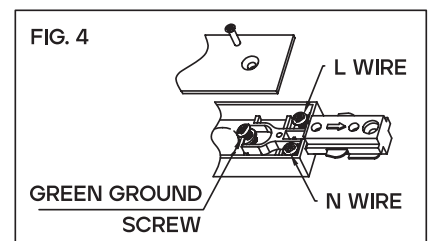
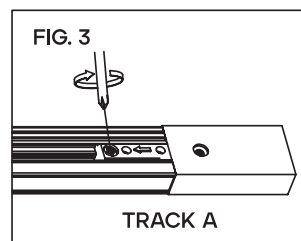
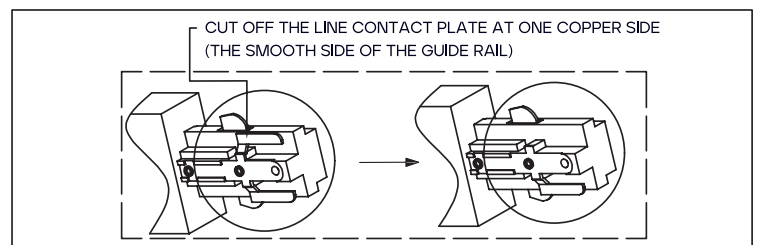
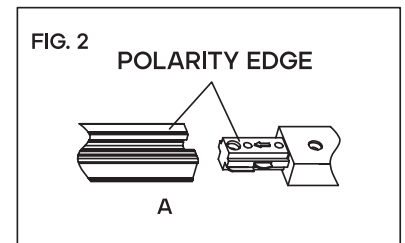
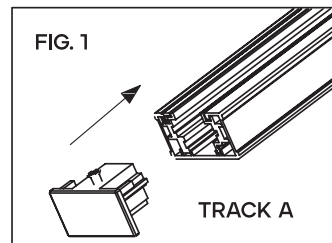
Dimensions



Installation Steps:

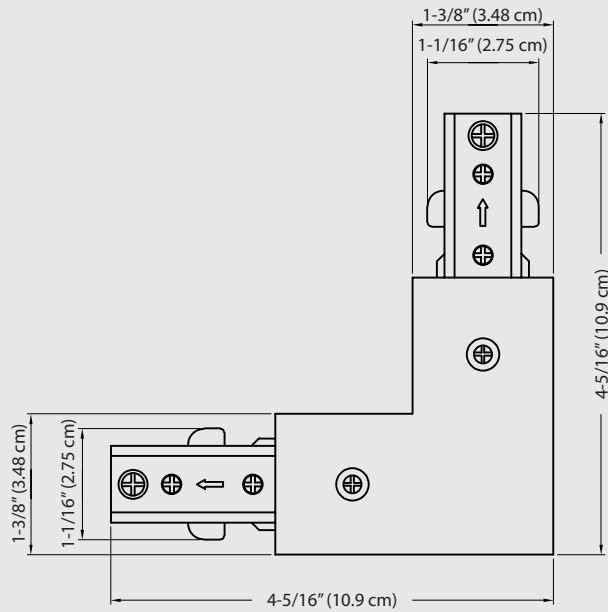
1. Loosen the screw and remove the end cap from the end of track where the live connector will be attached.
2. Loosen the ground screws on the back of the connector.
3. Arrange the open ends of the tracks in an "I" formation, as shown in Fig. 2.
4. The live end connector has grounding tabs on both sides. Remove the grounding tab on one side, keeping the tab on the other side. Ensure the remaining grounding tab aligns with the side of the track that has the copper bar. Do not force the connector into the track.
5. If using as a power supply connection point:
 - Remove the plastic cover.
 - Pull the wires into the live end connector.
 - Attach the "hot" wire to the terminal marked "L" and the neutral wire to the terminal marked "N."
 - For reverse polarity, attach the "hot" wire to "N" and the neutral wire to "L."

Please note this accessory is compatible only with H-type tracks.



L-Connector

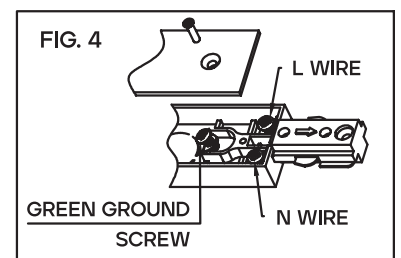
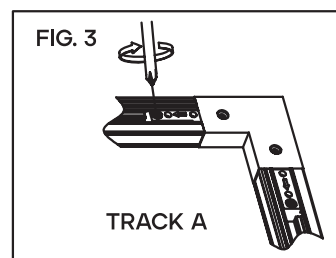
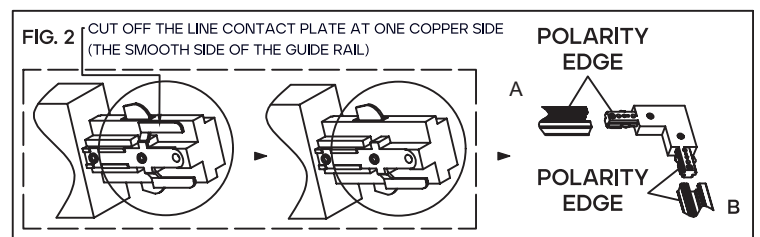
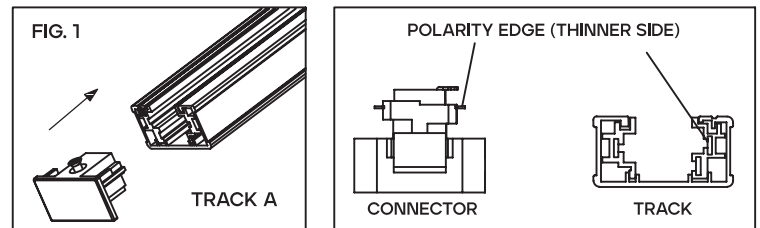
Dimensions



Installation Steps:

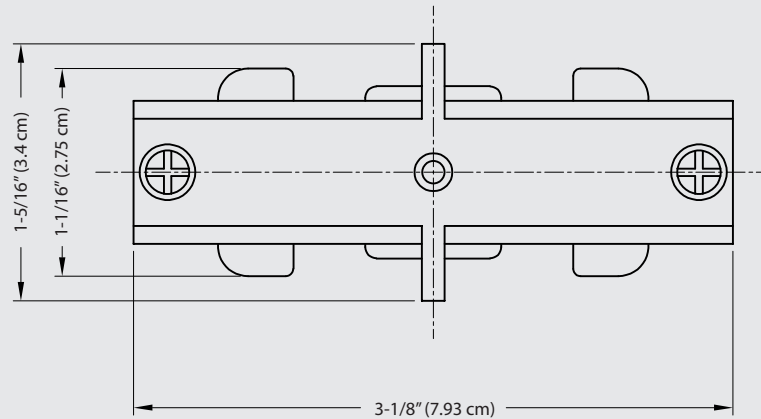
1. Loosen the screw and remove the end cap from the end of track "A" that will receive the L-connector (see Fig. 1).
2. Repeat Step 1 for track "B."
3. Loosen the ground screws on the back of the L-connector.
4. Position the open ends of the tracks in an "L" formation, as shown in Fig. 2. Remove the grounding tab on one side, keeping the tab on the other side. Ensure the remaining grounding tab aligns with the side of the track that has the copper bar. Do not force the connector into the track.
5. Align the polarity edges of the tracks and connectors. Insert the L-connector into the open end of track "A" and tighten the positioning screw. Do not force the connector into the track (see Fig. 3).
6. Repeat Steps 4 and 5 for track "B."
7. Tighten the ground screws on the back of the L-connector (see Fig. 4).
8. If the L-connector is used as a power supply connection point:
 - Remove the plastic cover.
 - Pull the wires into the live end connector.
 - Attach the "hot" wires to the terminals marked "L" and the neutral wire to the terminal marked "N."
 - For reverse polarity, connect the "hot" wires to "N" and the neutral wire to "L."

Please note this accessory is compatible only with H-type tracks.



Mini-Jointer

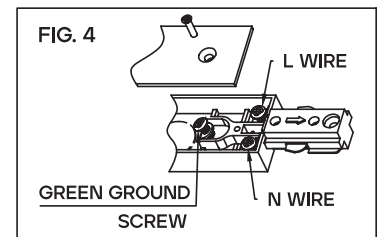
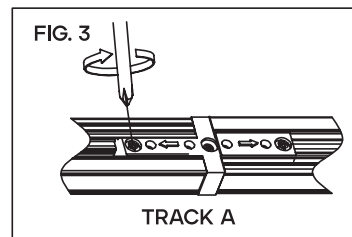
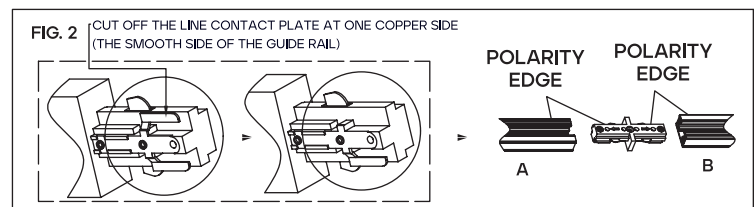
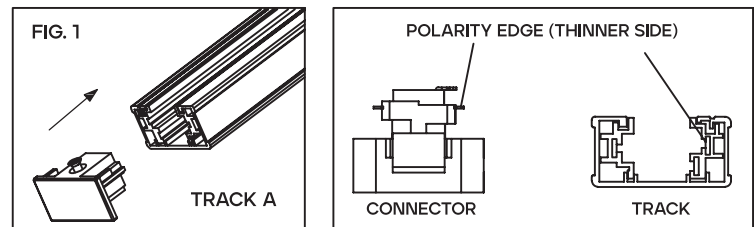
Dimensions



Installation Steps:

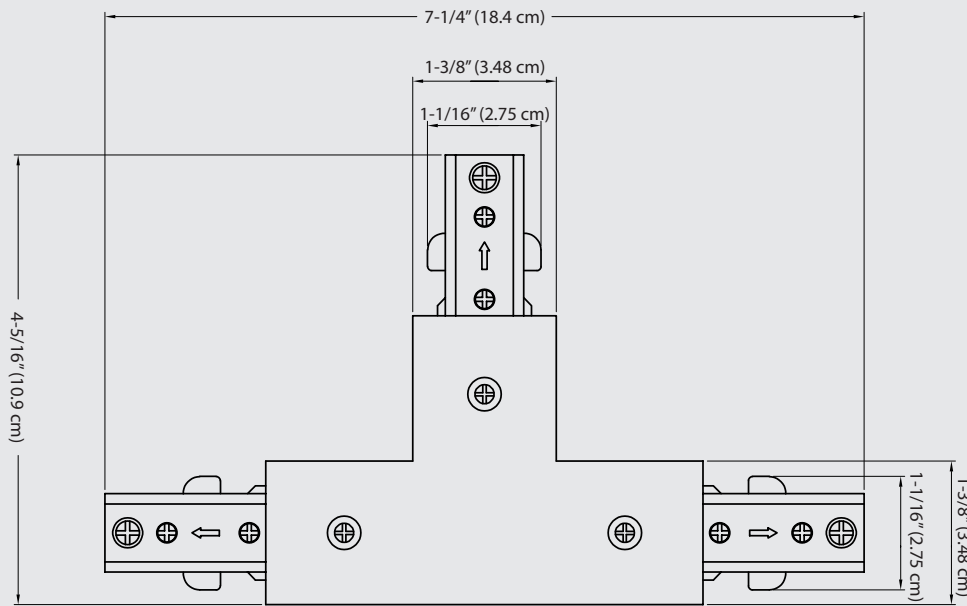
1. Loosen the screw and remove the end cap from the end of track "A" that will receive the I-connector (see Fig. 1).
2. Repeat Step 1 for track "B."
3. Loosen the ground screws on the back of the I-connector.
4. Position the open ends of the tracks in an "I" formation, as shown in Fig. 2.
5. Align the polarity edges of the tracks and connectors. Insert the I-connector into the open end of track "A" and tighten the positioning screw. Do not force the connector into the track (see Fig. 3).
6. Repeat Steps 4 and 5 for track "B."
7. Tighten the ground screws on the back of the I-connector (see Fig. 4).
8. If the I-connector is used as a power supply connection point:
 - Remove the plastic cover.
 - Pull the wires into the live end connector.
 - Attach the "hot" wires to the terminals marked "L" and the neutral wire to the terminal marked "N."
 - For reverse polarity, connect the "hot" wires to "N" and the neutral wire to "L."

Please note this accessory is compatible only with H-type tracks.



T-Connector

Dimensions



Installation Steps:

1. Loosen the screw and remove the end cap from the end of track "A" that will receive the T-connector (see Fig. 1).
2. Repeat Step 1 for track "B" and track "C".
3. Loosen the ground screws on the back of the T-connector.
4. Position the open ends of the tracks in an "T" formation, as shown in Fig. 2. Remove the grounding tab on one side, keeping the tab on the other side. Ensure the remaining grounding tab aligns with the side of the track that has the copper bar. Do not force the connector into the track.
5. Align the polarity edges of the tracks and connectors. Insert the T-connector into the open end of track "A" and tighten the positioning screw. Do not force the connector into the track (see Fig. 3).
6. Repeat Steps 4 and 5 for track "B" and track "C".
7. Tighten the ground screws on the back of the T-connector (see Fig. 4).
8. If the T-connector is used as a power supply connection point:
 - Remove the plastic cover.
 - Pull the wires into the live end connector.
 - Attach the "hot" wires to the terminals marked "L" and the neutral wire to the terminal marked "N."
 - For reverse polarity, connect the "hot" wires to "N" and the neutral wire to "L."

Please note this accessory is compatible only with H-type tracks.

